

FIG. TT-040:

**TIGER TANK 150L INDIRECT FIRED SS COIL**



**Product Features:**

- » Tank is constructed out of Type 316L stainless steel
- » Coil is constructed out of Type 316L stainless steel
- » Fittings are constructed out of Type 316L stainless steel
- » 1" Domestic water ports on Top and Side
- » 1" boiler loop ports
- » 3/4" recirculation port
- » Uniform port height between models for Domestic Cold Water and Boiler Loop
- » Insulated with CFC free expanded 2" rigid Polyurethane
- » Lead free construction
- » Magnesium anode for cathodic & galvanic protection
- » Outer jacket is replaceable soft vynal (PVC) with zipper, available in several colors
- » Thermometer, analog sensor and T&P valve included
- » Tank ships with 2 SS 316L plugs

| Tiger Tank Platinum |                                    |
|---------------------|------------------------------------|
| Tank Material       | 316L Stainless Steel               |
| Coil Material       | 316L Stainless Steel               |
| Jacket Material     | Soft Vynal w/Zipper                |
| Insulation          | 2" Rigid Polyurethane              |
| Protection          | Magnesium Anode                    |
| Application         | Residential / Commercial           |
| Warranty            | See back page for warranty details |

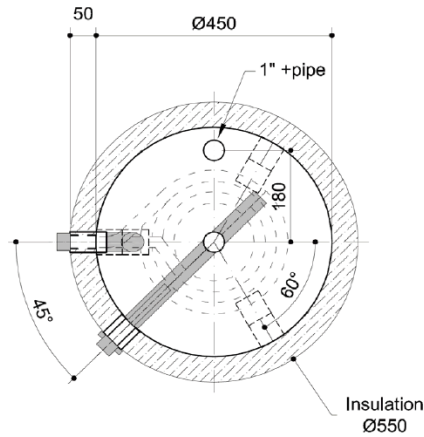
| Model  | Tank Capacity (Gallons) | Max Working Pressure (PSI) | Domestic Water Inlet/Outlet | Boiler In/Out | Approx. Shipping Weight (Lbs) |
|--------|-------------------------|----------------------------|-----------------------------|---------------|-------------------------------|
| TT-040 | 40                      | 150                        | 1"                          | 1"            | 86                            |

**Performance:** Hour 1 Recovery based on 50°F inlet water temperature and 176°F boiler water outlet temperature

| Model  | Outlet Temp 140°F      |                          | Outlet Temp 115°F      |                          | Boiler BTU/Hr Output | Heat Exchanger Flow Rate (GPM) | Coil Surface (sqm) |
|--------|------------------------|--------------------------|------------------------|--------------------------|----------------------|--------------------------------|--------------------|
|        | 1st Hr Rating (Gal/Hr) | Continuous Draw (Gal/Hr) | 1st Hr Rating (Gal/Hr) | Continuous Draw (Gal/Hr) |                      |                                |                    |
| TT-040 | 180                    | 143                      | 290                    | 239                      | 107688               | 12                             | 0.8                |

**Dimensions:**

| Model  | Height mm / in | Diameter mm / in | Floor to Domestic Cold mm / in | Floor to Boiler Return mm / in | Floor to Boiler Supply mm / in | Floor to Domestic Hot mm / in | T&P mm / in |
|--------|----------------|------------------|--------------------------------|--------------------------------|--------------------------------|-------------------------------|-------------|
| TT-040 | 1050 / 41.34   | 550 / 21.65      | 250/9.84 Top                   | 465 / 18.31                    | 565 / 22.24                    | 840/33.07 Top                 | 710 / 27.95 |



\* Dimensions in these FIGs are in mm

