

FIG. TT-065:

**TIGER TANK 250L INDIRECT FIRED SS COIL**



**Product Features:**

- » Tank is constructed out of Type 316L stainless steel
- » Coil is constructed out of Type 316L stainless steel
- » Fittings are constructed out of Type 316L stainless steel
- » 1" Domestic water ports on Top and Side
- » 1" boiler loop ports
- » 3/4" recirculation port
- » Uniform port height between models for Domestic Cold Water and Boiler Loop
- » Insulated with CFC free expanded 2" rigid Polyurethane
- » Lead free construction
- » Magnesium anode for cathodic & galvanic protection
- » Outer jacket is replaceable soft vynal (PVC) with zipper, available in several colors
- » Thermometer, analog sensor and T&P valve included
- » Tank ships with 2 SS 316L plugs

Tiger Tank Platinum	
Tank Material	316L Stainless Steel
Coil Material	316L Stainless Steel
Jacket Material	Soft Vynal w/Zipper
Insulation	2" Rigid Polyurethane
Protection	Magnesium Anode
Application	Residential / Commercial
Warranty	See back page for warranty details

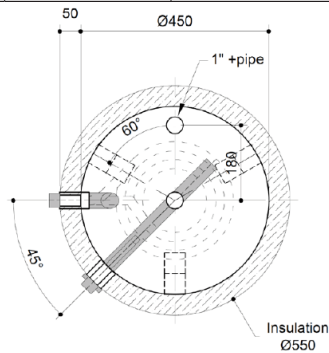
Model	Tank Capacity (Gallons)	Max Working Pressure (PSI)	Domestic Water Inlet/Outlet	Boiler In/Out	Approx. Shipping Weight (Lbs)
TT-065	65	150	1"	1"	117

**Performance:** Hour 1 Recovery based on 50°F inlet water temperature and 176°F boiler water outlet temperature

Model	Outlet Temp 140°F		Outlet Temp 115°F		Boiler BTU/Hr Output	Heat Exchanger Flow Rate (GPM)	Coil Surface (sqm)
	1st Hr Rating (Gal/Hr)	Continuous Draw (Gal/Hr)	1st Hr Rating (Gal/Hr)	Continuous Draw (Gal/Hr)			
TT-065	274	209	437	347	156414	12	1.2

**Dimensions:**

Model	Height mm / in	Diameter mm / in	Floor to Domestic Cold mm / in	Floor to Boiler Return mm / in	Floor to Boiler Supply mm / in	Floor to Domestic Hot mm / in	T&P mm / in
TT-065	1550 / 61.02	550 / 21.65	250/9.84 Top	465 / 18.31	565 / 22.24	1340/52.75 Top	1340 / 52.76



\* Dimensions in these FIGs are in mm

