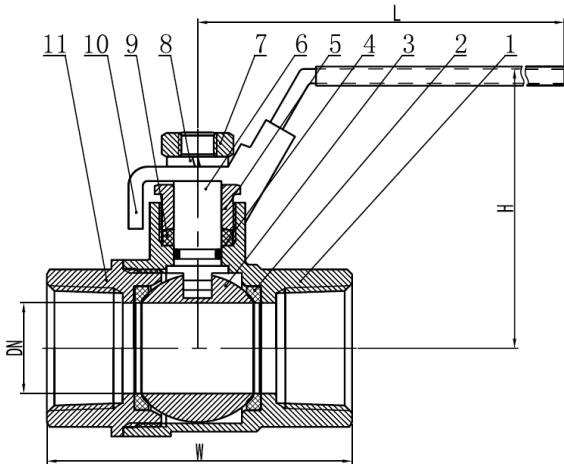


**FIG. 100TL**

**600 WOG FULL PORT FORGED BRASS BALL VALVE THREADED ENDS  
LOCKING HANDLE**



**Features:**

- Thread Conform ANSI B1.20.1
- Forged Brass Body
- Blow Out Proof Stem Design
- Packing Nut, O-RING & Packing On The Stem Seal
- Brass/Chrome Plated Or Stainless Steel Ball
- Handle With Vinyl Grip

**Performance Rating:**

- 600 psi (WOG) 150 psi (WSP) Service
- Temperature Range : -20°F to 300°F

**Material List:**

No	Part Name	Material
1	Body	Brass
2	Seat	PTFE
3	Ball	Brass/Chrome Plated (1/4" - 1")
		Stainless Steel (1 1/4" - 4")
4	O-Ring	NBR
5	Packing Nut	Brass
6	Stem	Brass (1/4" - 2")
		Stainless Steel (2 1/2" - 4")
7	Handle Nut	Plated Steel
8	Lock Washer	Plated Steel
9	Packing	PTFE
10	Handle	Plated Steel
11	Cap	Brass

**Approvals:**

<b>CSA:</b>	1/4" - 4" Per ANSI Z21.15/CSA 9.1 for 1/2 psig
	1/4" - 4" Per ASME B16.44 /CR91-002 for 5 psig
	1/4" - 2" Per CGA3.16 for 125 psig
	1/2" - 2" Per ASME B16.33 for 125 psig
	2 1/2" - 4" Per ASME B16.38 /CGA3.16 for 125 psig
<b>UL:</b>	1/4" - 4" UL 842 (Guide YRBX,MHKZ )
	1/4" - 4" UL 125 (Guide YSDT,YRPV )
	1/4" - 4" UL 1477 (Guide YQNZ )
<b>FM:</b>	1/4" - 2" Per FM1140 for 600psig

**Dimensions: (mm)**

SIZE	DN	W	H	L	Wt.(lbs.)
1/4"	10	44	53.7	114	0.31
3/8"	10	44.5	53.7	114	0.30
1/2"	15	57	66	114	0.45
3/4"	19	64	72.2	122	0.75
1"	25	75.5	76.2	122	1.14
1 1/4"	32	87.5	85.2	142	1.76
1 1/2"	40	98.5	91.7	142	2.41
2"	49.3	109	94.2	158	3.38
2 1/2"	64	140.5	122.8	195	7.03
3"	73.5	155	128	202	9.66
4"	97.5	198	152	225	18.31