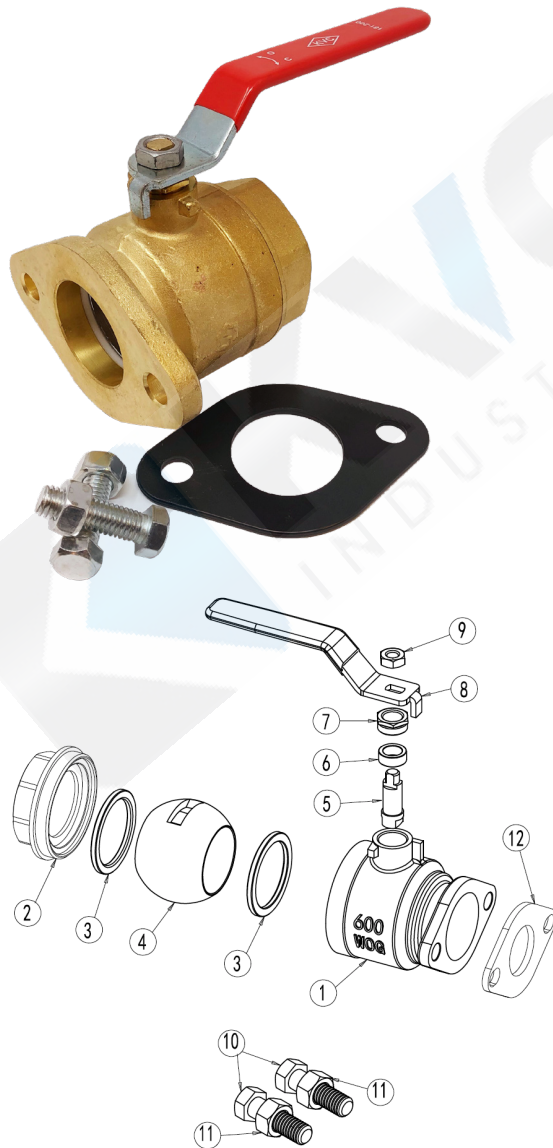


FIG. 181-200

600 WOG FLANGED x NPT PUMP ISOLATION VALVE



Features:

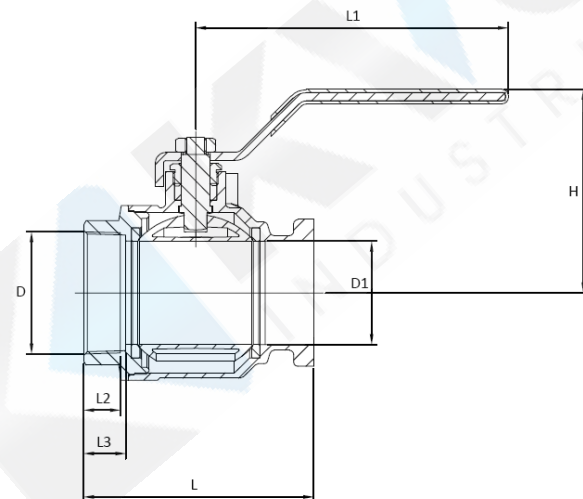
- Heavy duty forged brass pump isolation valve
- Blow-out proof stem
- Fixed flange
- Adjustable packing gland construction
- 600 WOG rating
- Lever handle
- Threaded end conform to ASME B1.20.1

Material List:

No.	Part Name	Specification
1	Body	Brass
2	Bonnet	Brass
3	Seat Seal	PTFE
4	Ball	Brass
5	Stem	Brass
6	Gasket	PTFE
7	Nut	Brass
8	Handle	Q235
9	Nut	Q235
10	Screw	Q235
11	Nut	Q235
12	Rubber Gasket	EPDM

Options:

- Wing handle
- Removable flange



Dimensions: (mm)

Size		Dimension					
D		D1	L	L1	L2	L3	H
in	mm						
2"	Ø50.8	Ø50	11.4	152	17.7	20.3	98.5