

FIG. FPC-810T(S):

**CLASS 800 THREADED(SOCKET WELD) ENDS BOLTED COVER
PISTON CHECK VALVE**

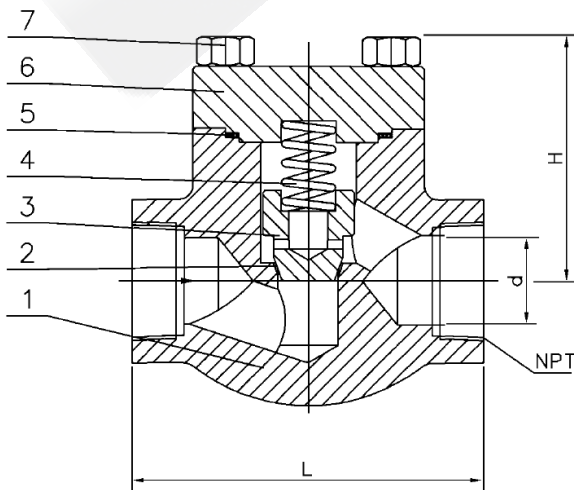


Features:

- Design: API 602
- Testing: API 598
- Threaded ends to: ASME B1.20.1
- Socket weld ends to: ASME B16.11

Materials List:

No.	Part Name	Specification
1	Body	ASTM A105
2	Seat	Stellite overlay
3	Disc	A276-410
4	Spring	304SS
5	Gasket	Graphite + 304SS
6	Cover	ASTM A105
7	Cover bolt	ASTM A193 B7



Rating:

Carbon Steel Class 800 - 1975 psig@100° F

Note:

- The above figure number (FPC-810T) designates threaded valve. If a socket weld end is required, change the "T" to an "S" (FPC-810S).
- Other trims and body materials are available upon request.
- Integral HF seat.
- Regular port.

Dimensions:

Size		d		L		H		Weight	
in	mm	In	mm	In	mm	in	mm	lb	kg
½	15	0.39	10	3.11	79	2.4	61	2.64	1.2
¾	20	0.51	13	3.62	92	2.4	61	3.08	1.4
1	25	0.69	17.5	4.37	111	3.07	78	5.07	2.3
1 ¼	32	0.91	23	4.72	120	3.31	84	8.6	3.9
1 ½	40	1.18	30	5.98	152	4.06	103	12.35	5.6
2	50	1.38	35	6.77	172	4.65	118	19.62	8.9