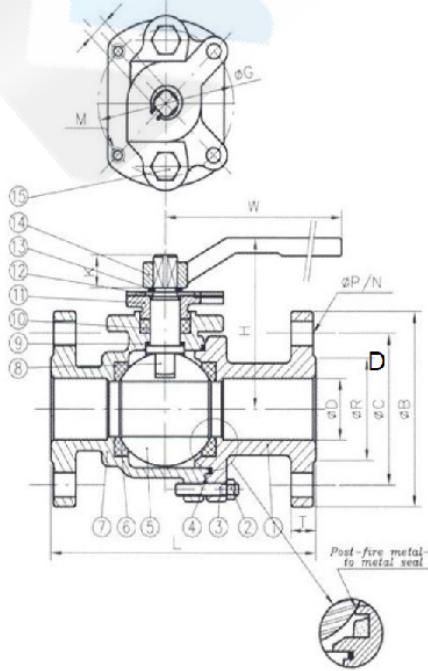
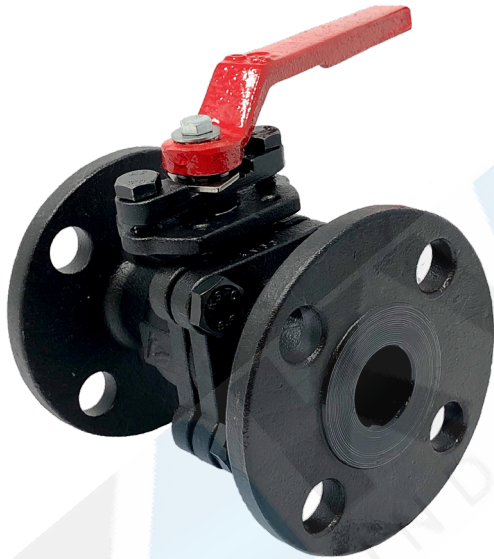


FIG. C-235F-F:

**CLASS 150 2-PIECE CARBON STEEL FULL PORT BALL VALVE FLANGED  
ISO 5211 MOUNTING PAD API 607 FIRE-SAFE DESIGNED**

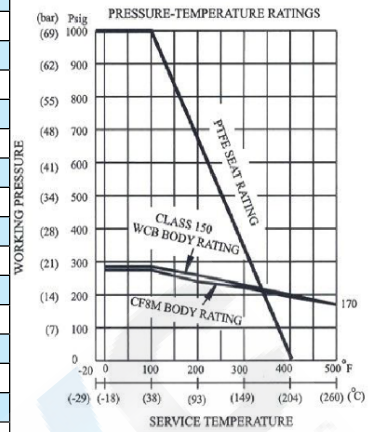
**Features:**

- Split body design with flanged ends for fast installation, in-line maintenance and rebuilding. Solid ball construction provides structural integrity and minimizes flow turbulence.
- Body joint is designed to prevent excessive compression of valve internals, resulting in consistent and low operating torque.
- Mounting pad complied with ISO 5211 for ease and interchangeability of actuation
- Bottom-loaded blow-out proof stem.
- Investment cast body & cap on sizes ½" to 4". Sand cast body & cap on sizes 5" to 10".
- Basic design complied with ASME/ANSI B16.34
- Flanged ends complied with ASME/ANSI B16.5
- Face-to-face dimensions complied with ASME/ANSI B16.10
- Graphite gasket & stem packing prevent post-fire external leakage.
- Post-fire metal-to-metal seal prevents internal leakage after fire. Tested according to API 598 & ANSI B 16.34



**Materials:**

No.	Part Name	Specification
1	End Cap	ASTM A216-WCB
2	Nut	CARBON STEEL / GR. 2H
3	Body Joint Bolt	CARBON STEEL / GR. B7
4	Gasket	GRAPHITE
5	Ball	ASTM A351-CF8 / 304
6	Seat	PTFE
7	Body	ASTM A216-WCB
8	Stem	ASTM A276-304
9	Thrust Washer	PTFE
10	Stem Packing	GRAPHITE
11	Gland	ASTM A351-CF8
12	Handle Stopper	AISI 304
13	Snap Ring	AISI 420
14	Handle	FCD 45
15	Gland Bolt	AISI 304



**OPTIONS:**

- F: FIRE-SAFE DESIGN.
- G: EQUIPPED WITH GEAR OPERATOR.
- P: EQUIPPED WITH PNEUMATIC ACTUATOR
- V: VENTED BALL
- A: ANTI-STATIC DEVICE

**Dimension of Mounting Pad:**

Size	in		mm		K		ØG		M
	in	mm	in	mm	in	mm	in	mm	
½	15	0.39	10	0.69	17.5	1.65	42	M5	
¾	20	0.39	10	0.69	17.5	1.65	42	M5	
1	25	0.47	12	0.86	22	1.97	50	M6	
1 ½	40	0.67	17	1.1	28	2.75	70	M8	
2	50	0.67	17	1.1	28	2.75	70	M8	
2 ½	65	0.86	22	1.22	31	4.01	102	M10	
3	80	0.86	22	1.22	31	4.01	102	M10	
4	100	0.94	24	1.3	33	4.01	102	M10	
5	125	1.06	27	1.3	33	4.92	125	M12	
6	150	1.06	27	1.46	37	4.92	125	M12	
8	200	1.38	35	1.57	40	5.51	140	M16	
10	250	1.38	35	1.57	40	5.51	140	M16	

**Dimension:**

Size		Ø D		L		T		ØR		ØC		ØB		ØP		N	H		W	
in	mm	in	mm	in	mm	in	mm	in	mm	in	mm	in	mm	in	mm		in	mm	in	mm
½	15	0.59	15	4.25	108	0.44	11.18	1.38	35.1	2.38	60.5	3.5	88.9	0.62	15.75	4	3.15	80	5.12	130
¾	20	0.79	20	4.62	117	0.44	11.18	1.69	42.9	2.75	69.5	3.88	98.6	0.62	15.75	4	3.27	83	5.12	130
1	25	1	25.4	5	127	0.44	11.18	2	50.8	3.12	79.2	4.25	108	0.62	15.75	4	3.82	97	6.3	160
1 ½	40	1.57	40	6.5	165	0.56	14.22	2.88	73.2	3.88	98.6	5	127	0.62	15.75	4	4.37	111	9.06	230
2	50	1.97	50	7	178	0.62	15.75	3.62	91.9	4.75	120.7	6	152.4	0.75	19.05	4	4.65	118	9.06	230
2 ½	65	2.56	65	7.5	191	0.69	17.53	4.12	104.6	5.5	139.7	7	177.8	0.75	19.05	4	5.67	144	15.75	400
3	80	3.15	80	8	203	0.75	19.05	5	127	6	152.4	7.5	190.5	0.75	19.05	4	6.06	154	15.75	400
4	100	3.94	100	9	229	0.94	23.88	6.19	157.2	7.5	190.5	9	228.6	0.75	19.05	8	6.85	174	18.11	460
5	125	4.92	125	14	356	0.94	23.88	7.31	185.7	8.5	215.9	10	254	0.88	22.35	8	8.66	220	21.65	550
6	150	5.91	150	15.5	394	1	25.4	8.5	215.9	9.5	241.3	11	279.4	0.88	22.35	8	9.45	240	21.65	550
8	200	7.87	200	18	457	1.12	28.45	10.62	269.7	11.75	298.5	13.5	342.9	0.88	22.35	8	11.81	300	39.37	1000
10	250	9.84	250	21	533	1.19	30.23	12.75	323.9	14.25	362	16	406.4	1	25.4	12	13.98	355	39.37	1000