

**FIG. 246T**

**BRASS RP GAS BALL VALVE FIP X FIP**

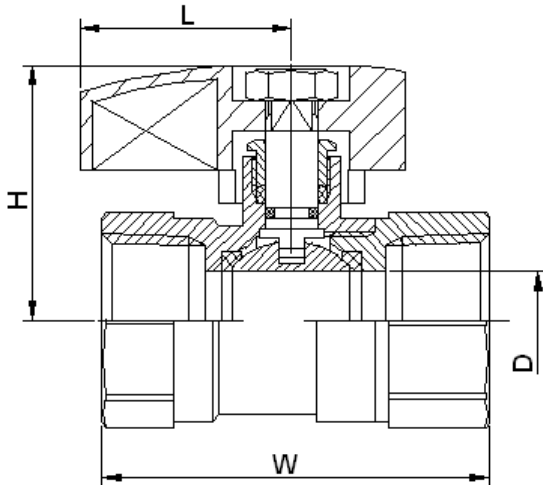


**Features:**

- Thread conform ANSI B1.20.1
- Construction: Forging Brass Body
- PTFE Ball Seats
- Blow Out Proof Brass Stem
- Packing Nut, O-RING & PTFE Seal On The Seal

**Performance Rating**

- 600 psi (WOG) 175 psi (GAS) Service
- Temperature Range : -40°F to 125°F



**Material List:**

Part Name	Material
Body	Brass
Seat	PTFE
Ball	Brass/Chrome Plated
O-Ring	NBR
Packing Nut	Brass
Stem	Brass
Lock Nut	Ferrum/ Plated Copper
Ball Packing	PTFE
Handle	Al alloy
Cap	Brass

**Approvals:**

<b>CSA:</b>	3/8" - 1" Per ANSI Z21.15/CSA 9.1 for 1/2 psig
	3/8" - 1" Per ASME B16.44 /CR91-002 for 5 psig
	3/8" - 1" Per ASME B16.33 /CGA3.16 for 125 psig
<b>UL:</b>	UL 842 (Guide YRBX,MHKZ )
	UL 125 (Guide YSDT,YRPV )
	UL 1477 (Guide YQNZ )



**Dimensions: (inch)**

SIZE	D	L	H	W	Gas Flow(m3/hr)	Wt.(lbs.)
3/8"	0.394	1.28	1.437	1.752	4.03	0.260
1/2"	0.394	1.28	1.437	2.204	4.59	0.340
3/4"	0.591	1.28	1.535	2.362	12.37	0.478
1"	0.748	1.28	1.721	2.874	21.13	0.767