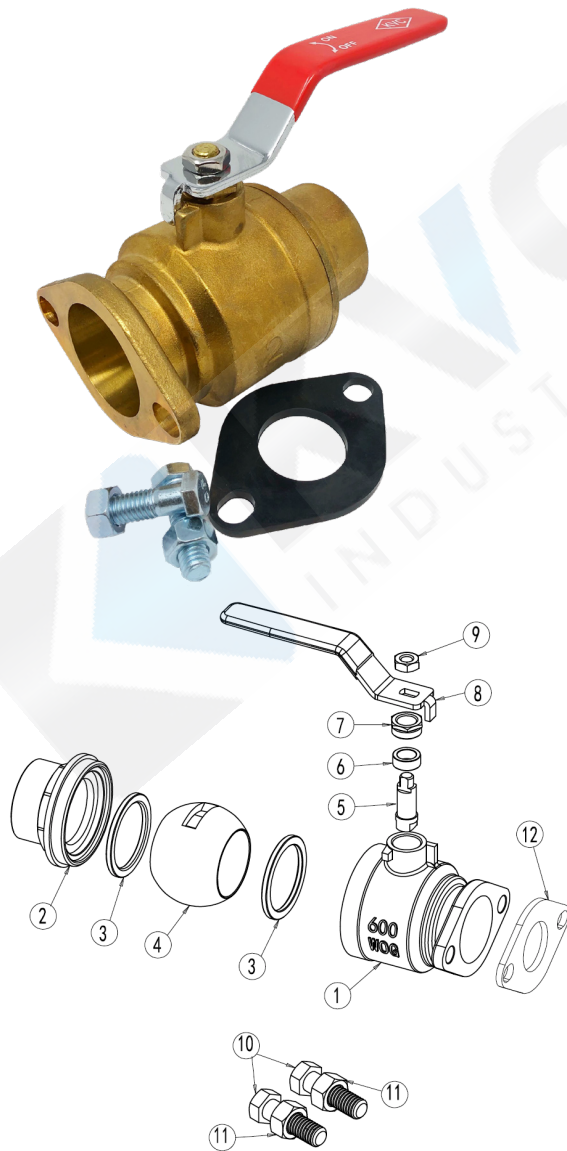


FIG. 182-200

600 WOG FLANGED x COPPER PUMP ISOLATION VALVE



Features:

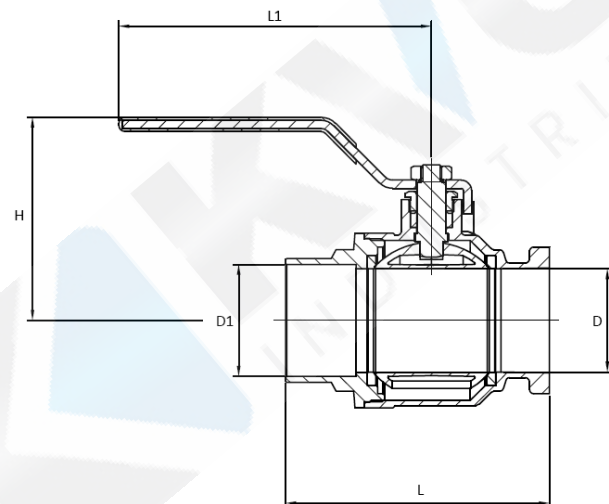
- Heavy duty forged brass pump isolation valve
- Blow-out proof stem
- Fixed flange
- Adjustable packing gland construction
- 600 WOG rating
- Lever handle
- Solder end confirm to ASME B16.18

Material List:

No.	Part Name	Specification
1	Body	Brass
2	Bonnet	Brass
3	Seat Seal	PTFE
4	Ball	Brass
5	Stem	Brass
6	Gasket	PTFE
7	Nut	Brass
8	Handle	Q235
9	Nut	Q235
10	Screw	Q235
11	Nut	Q235
12	Rubber Gasket	EPDM

Options:

- Wing handle
- Removable flange



Dimensions:

Size		Dimension			
in	mm	L	L1	D1	H
2"	Ø50.8	111.4	152	Ø54.1	98.5