

FIG. 150T

200 WOG BRASS SWING CHECK VALVE T-PATTERN NPT END

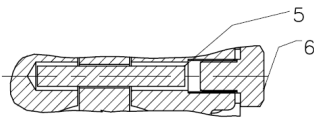
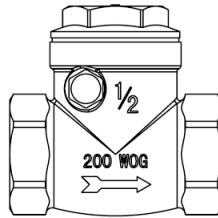
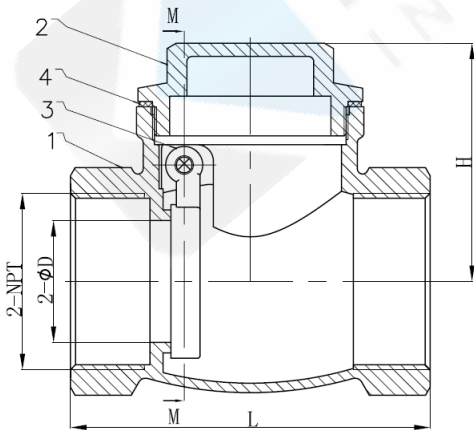


Features:

- Valves conform to: MSS SP-80, Type 2
- Threaded Ends per ANSI B1.20.1

Performance Rating:

- The Max .Working Pressure 200PSI
- Working Temperature 32°F - 212°F



M-M Section view

Material List:

NO.	Part Name	QTY	Material
1	Body	1	Brass
2	Bonnet	1	Brass
3	Disc	1	Brass
4	Washer	1	Fiber
5	Pin	1	Brass
6	Bolt	1	Brass

Dimensions: (mm)

SIZE	ØD	L	H
1/2"	13	50	35
3/4"	18.5	56	39.5
1"	23	68	45
1 1/4"	21	75	53.5
1 1/2"	36	80	59.5
2"	48	95	66
2 1/2"	56	118	81.5
3"	76	140	90
4"	96	160	109