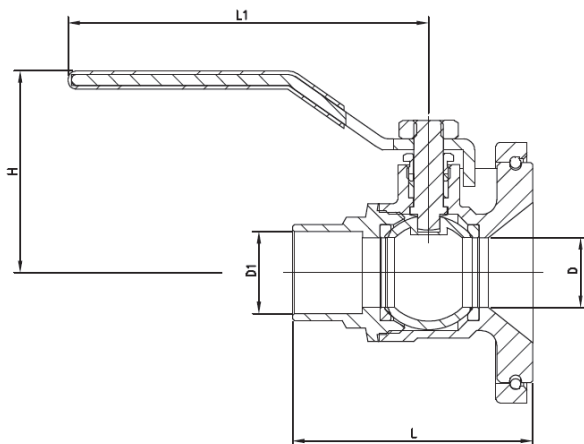
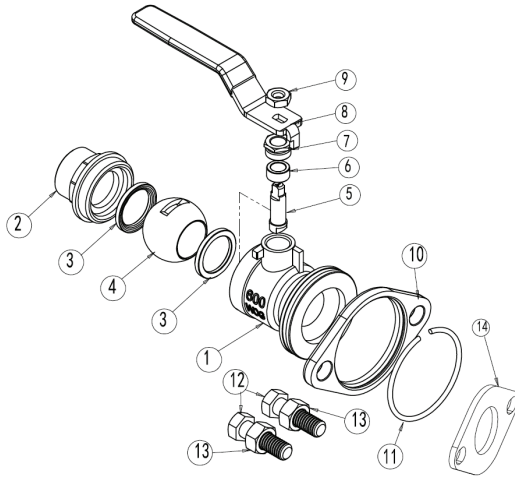
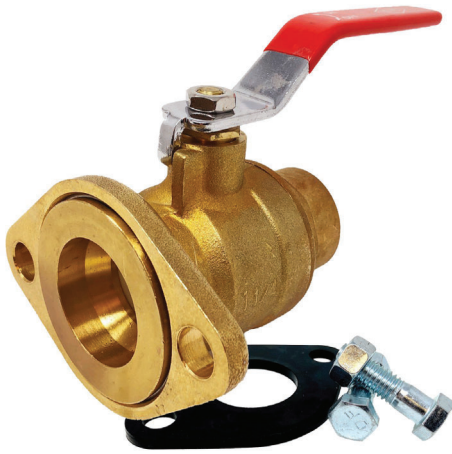


FIG. 182

600 WOG FLANGED x COPPER PUMP ISOLATION VALVE



Features:

- Heavy duty forged brass pump isolation valve
- Blow-out proof stem
- Rotating flange (From 3/4" to 1 1/2")
- Adjustable packing gland construction
- 600 WOG rating
- Lever handle
- Solder end confirm to ASME B16.18

Material List:

No.	Part Name	Specification
1	Body	ASTM B283 C37700
2	Bonnet	Brass
3	Seat Seal	PTFE
4	Ball	Brass
5	Stem	Brass
6	Gasket	PTFE
7	Nut	Brass
8	Handle	Q235
9	Nut	Q235
10	Flange	Brass
11	O-Ring	Stainless Steel
12	Screw	Q235
13	Nut	Q235
14	Rubber Gasket	EPDM

Options:

- Wing handle
- Removable flange



Dimensions:

Size		Dimension				
in	mm	L	L1	L2	D1	H
3/4"	Ø19.00	65.30	100.00	14.00	Ø22.30	56.30
1"	Ø25.00	83.90	123.00	18.00	Ø28.70	68.00
1 1/4"	Ø31.50	89.30	123.00	17.30	Ø35.00	73.80
1 1/2"	Ø38.00	109.60	152.00	17.30	Ø41.40	89.50