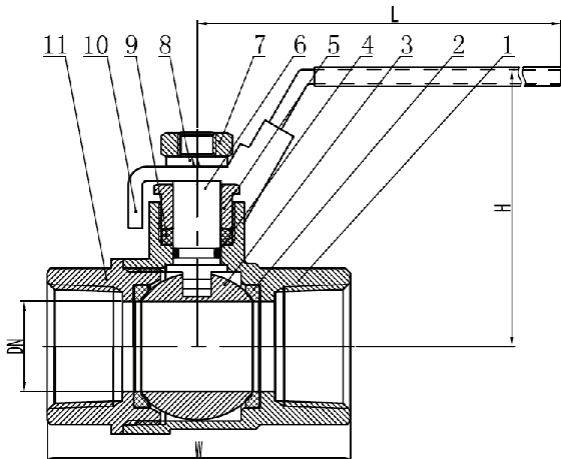


FIG. NL-100T-L

600 WOG FULL PORT FORGED BRASS BALL VALVE THREADED ENDS LOCKING HANDLE



Features:

- Thread Conform ANSI B1.20.1
- Forged Brass Body
- Blow Out Proof Stem Design
- Packing Nut, O-RING & Packing On The Stem Seal
- Brass/Chrome Plated Or Stainless Steel Ball
- Handle With Vinyl Grip

Performance Rating:

- 600 psi (WOG) 150 psi (WSP) Service
- Temperature Range : -20°F to 300°F

Material List:

No	Part Name	Material
1	Body	ASTM B283 C46400
2	Seat	PTFE
3	Ball	Stainless Steel
4	Stem O-Ring	NBR
5	Packing Nut	Brass
6	Stem	Brass (1/4" - 2")
		Stainless Steel (2 1/2" - 4")
7	Lock Nut	Ferrum / Zinc Plated
8	Lock Washer	Ferrum / Zinc Plated
9	Packing	PTFE
10	Handle	Ferrum / Zinc Plated
11	Cap	Lead Free Brass

Approvals:

CSA:	1/4" - 4" Per ANSI Z21.15/CSA 9.1 for 1/2 psig
	1/4" - 4" Per ASME B16.44 /CR91-002 for 5 psig
	1/4" - 2" Per CGA3.16 for 125 psig
	1/2" - 2" Per ASME B16.33 for 125 psig
	2 1/2" - 4" Per ASME B16.38 /CGA3.16 for 125 psig
UL:	1/4" - 4" UL 842 (Guide YRBX,MHKZ)
	1/4" - 4" UL 125 (Guide YSDT,YRPV)
	1/4" - 4" UL 1477 (Guide YQNZ)
FM:	1/4" - 2" Per FM1140 for 600psig



Dimensions: (mm)

SIZE	DN	W	H	L	Wt.(lbs.)
1/4"	10.00	44.00	53.70	114.00	0.31
3/8"	10.00	44.50	53.70	114.00	0.30
1/2"	15.00	57.00	66.00	114.00	0.45
3/4"	19.00	64.00	72.20	122.00	0.75
1"	25.00	75.50	76.20	122.00	1.14
1 1/4"	32.00	87.50	85.20	142.00	1.76
1 1/2"	40.00	98.50	91.70	142.00	2.41
2"	49.30	109.00	94.20	158.00	3.38
2 1/2"	64.00	140.50	122.80	195.00	7.03
3"	73.50	155.00	128.00	202.00	9.66
4"	97.50	198.00	152.00	225.00	18.31