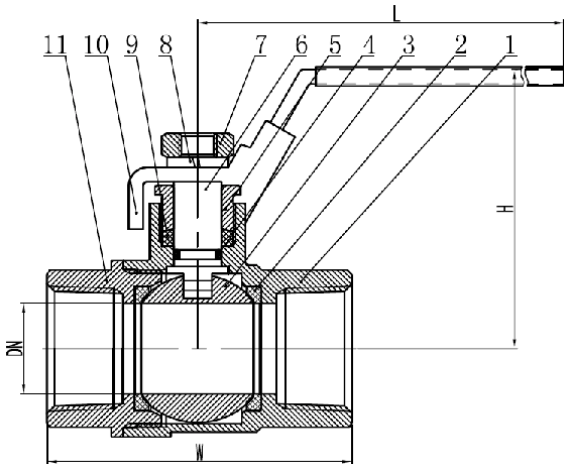


**FIG. 100T-L**

**600 WOG FULL PORT FORGED BRASS BALL VALVE THREADED ENDS  
LOCKING HANDLE**



**Features:**

- Thread Conform ANSI B1.20.1
- Forged Brass Body
- Blow Out Proof Stem Design
- Packing Nut, O-RING & Packing On The Stem Seal
- Brass/Chrome Plated Or Stainless Steel Ball
- Handle With Vinyl Grip

**Performance Rating:**

- 600 psi (WOG) 150 psi (WSP) Service
- Temperature Range : -40°F to 300°F

**Material List:**

| No | Part Name   | Material                        |
|----|-------------|---------------------------------|
| 1  | Body        | Brass                           |
| 2  | Seat        | PTFE                            |
| 3  | Ball        | Brass/Chrome Plated (1/4" - 1") |
|    |             | Stainless Steel (1 1/4" - 4")   |
| 4  | O-Ring      | NBR                             |
| 5  | Packing Nut | Brass                           |
| 6  | Stem        | Brass (1/4" - 2")               |
|    |             | Stainless Steel (2 1/2" - 4")   |
| 7  | Handle Nut  | Plated Steel                    |
| 8  | Lock Washer | Plated Steel                    |
| 9  | Packing     | PTFE                            |
| 10 | Handle      | Plated Steel                    |
| 11 | Cap         | Brass                           |

**Approvals:**

|             |   |
|-------------|---|
| <b>CSA:</b> | 1/4" - 4" Per ANSI Z21.15/CSA 9.1 for 1/2 psig    |
|             | 1/4" - 4" Per ASME B16.44 /CR91-002 for 5 psig    |
|             | 1/4" - 2" Per CGA3.16 for 125 psig                |
|             | 1/2" - 2" Per ASME B16.33 for 125 psig            |
|             | 2 1/2" - 4" Per ASME B16.38 /CGA3.16 for 125 psig |
| <b>UL:</b>  | 1/4" - 4" UL 842 (Guide YRBX,MHKZ )               |
|             | 1/4" - 4" UL 125 (Guide YSDT,YRPV )               |
|             | 1/4" - 4" UL 1477 (Guide YQNZ )                   |
| <b>FM:</b>  | 1/4" - 2" Per FM1140 for 600psig                  |

**Dimensions: (mm)**

| SIZE   | DN   | W     | H     | L   | Wt.(lbs.) |
|--------|------|-------|-------|-----|-----------|
| 1/4"   | 10   | 44    | 53.7  | 114 | 0.31      |
| 3/8"   | 10   | 44.5  | 53.7  | 114 | 0.30      |
| 1/2"   | 15   | 57    | 66    | 114 | 0.45      |
| 3/4"   | 19   | 64    | 72.2  | 122 | 0.75      |
| 1"     | 25   | 75.5  | 76.2  | 122 | 1.14      |
| 1 1/4" | 32   | 87.5  | 85.2  | 142 | 1.76      |
| 1 1/2" | 40   | 98.5  | 91.7  | 142 | 2.41      |
| 2"     | 49.3 | 109   | 94.2  | 158 | 3.38      |
| 2 1/2" | 64   | 140.5 | 122.8 | 195 | 7.03      |
| 3"     | 73.5 | 155   | 128   | 202 | 9.66      |
| 4"     | 97.5 | 198   | 152   | 225 | 18.31     |